

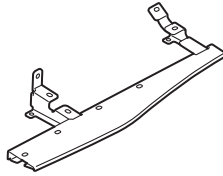


# INSTALLATION INSTRUCTIONS

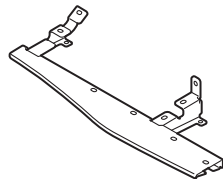
<b>Accessory</b>  <b>REAR STEP BOARDS</b> <b>P/N 08L33-TZ5-200A</b>	<b>Application</b>  <b>2014 MDX</b>	<b>Publications No.</b> <b>BII 48841</b>
		<b>Issue Date</b> <b>MAY 2013</b>

## PARTS LIST

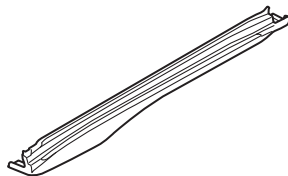
Right rear step board



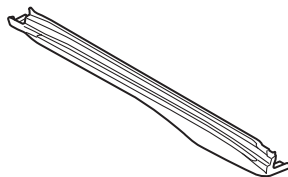
Left rear step board



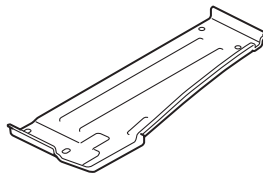
Right side sill



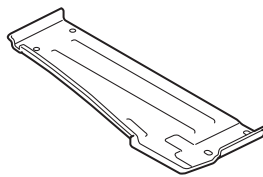
Left side sill



Right under cover



Left under cover



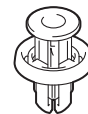
2 Brackets



12 Flange bolts



16 Clips



## TOOLS AND SUPPLIES REQUIRED

Stubby Phillips screwdriver

Ratchet

12 mm Socket

Torque wrench

*The following tool is available through the Honda Tool and Equipment Program. On the iN, click on: Service > Service Bay > Tool and Equipment Program, then enter the number under "Search". Or, call 888-424-6857.*

- Trim Tool Set (T/N SOJATP2014)

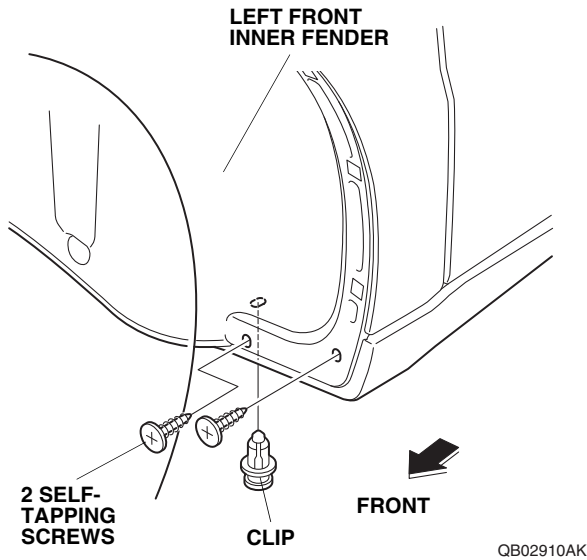
## INSTALLATION

**Client Information:** The information in this installation instruction is intended for use only by skilled technicians who have the proper tools, equipment, and training to correctly and safely add equipment to your vehicle. These procedures should not be attempted by "do-it-yourselfers."

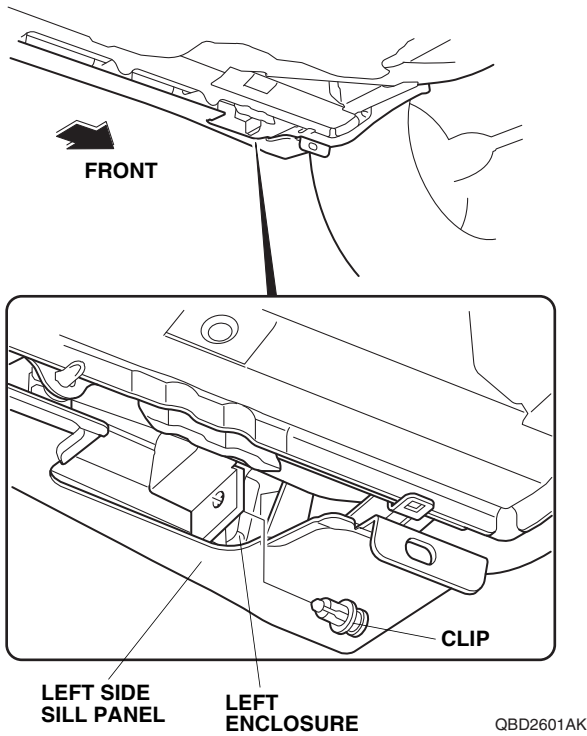
### NOTE:

- Thoroughly clean the bottom of the body between the front and rear wheels.
- Be careful not to damage the body paint finish.
- These instructions show the left rear step board being installed; the same procedure applies to installing the right rear step board.

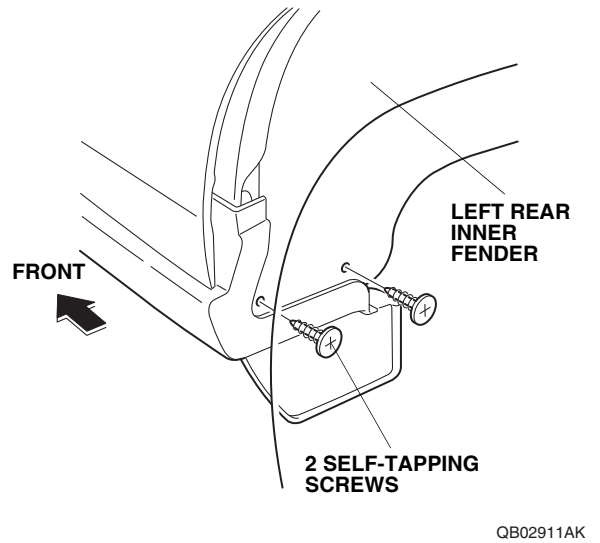
1. Remove the one clip and two self-tapping screws from the left front inner fender.



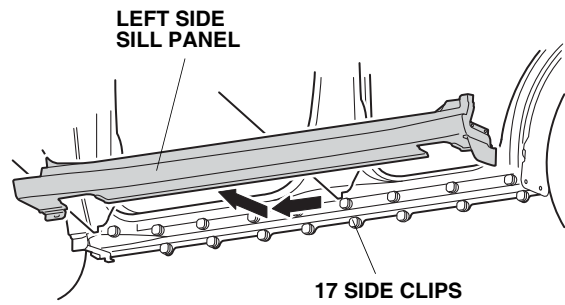
2. Remove the one clip from the left enclosure.



3. Remove the two self-tapping screws from the left rear inner fender.

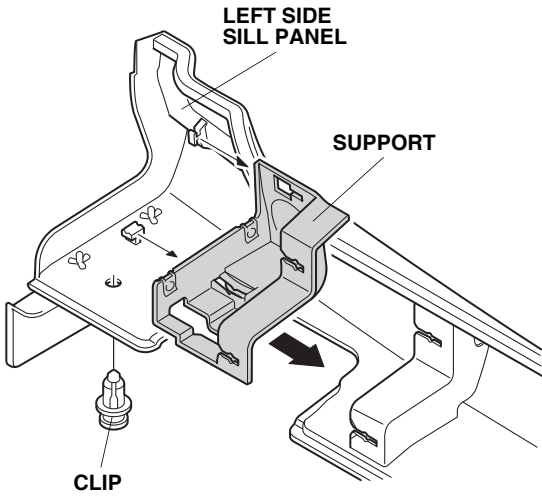


4. Open the both left doors.



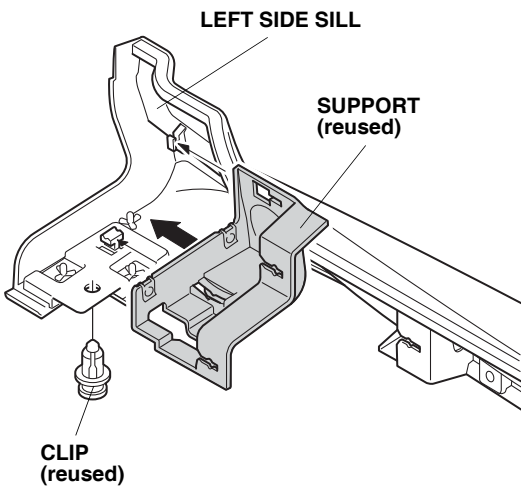
5. Gently pull the front portion of the left side sill panel away from the body, and slide the panel forward to remove it. The 17 side clips will stay in the body.

- Remove the support from the vehicle left side sill panel (one clip).



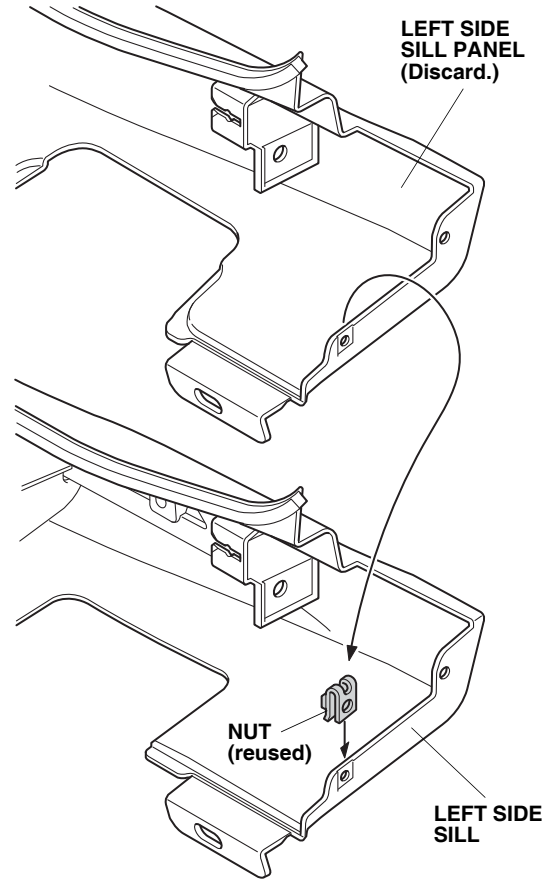
QB02913AK

- Get the left side sill from the kit. Transfer the support to the accessory left side sill with the one clip.



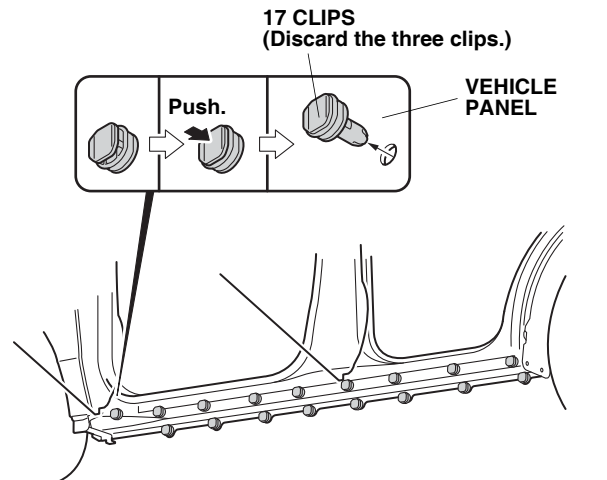
QB02914AK

- Remove the one nut from the vehicle left side sill panel and transfer it to the accessory left side sill.



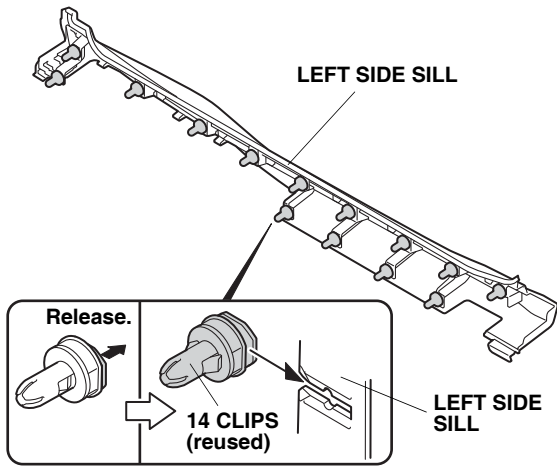
QB02915AK

- Remove the 17 clips from the vehicle panel.



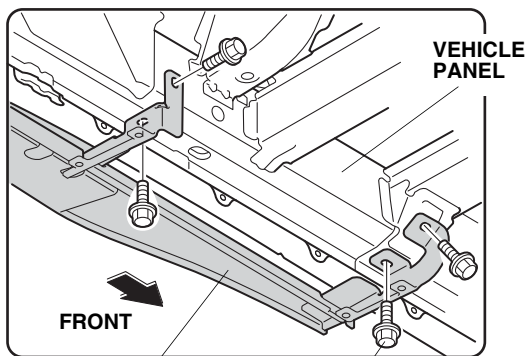
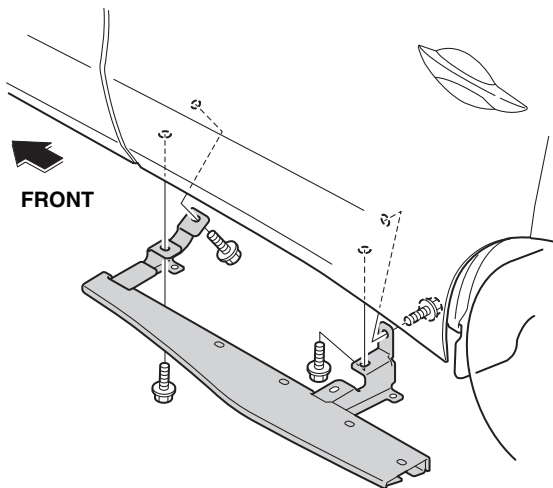
QB02916CK

10. Install 14 of the clips removed in step 9 to the accessory left side sill.



QB02917BK

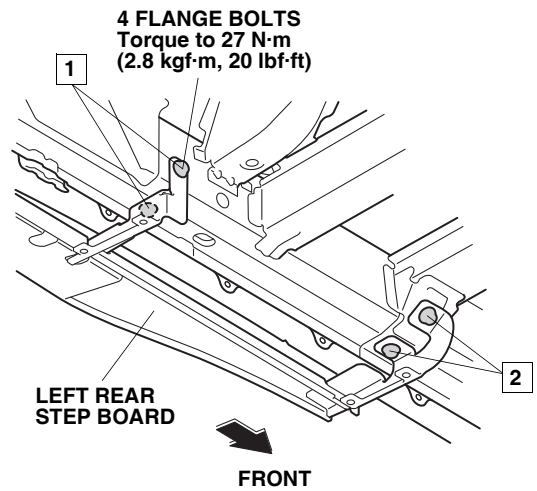
11. Close both left doors.



QB02918AK

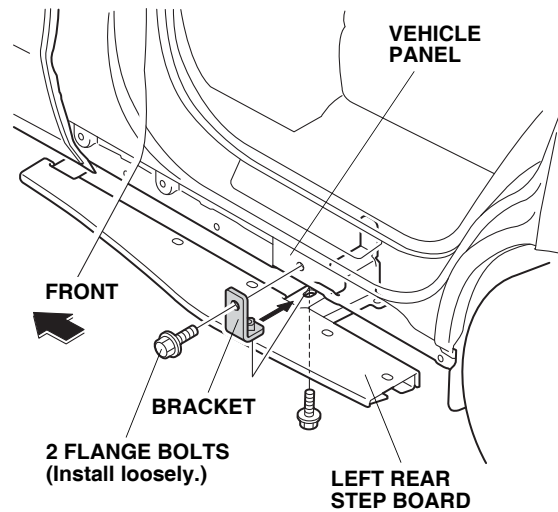
12. Loosely install the left rear step board to the vehicle panel using four flange bolts.

13. Torque the four flange bolts in the order shown to 27 N·m (2.8 kgf·m, 20 lbf·ft).



QB02919AK

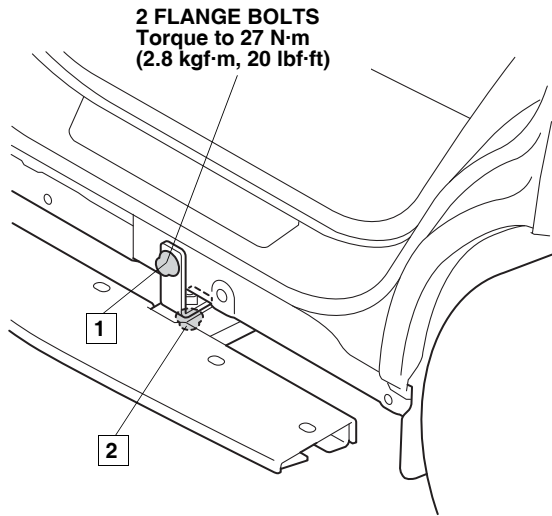
14. Open the both left doors.



QB02920AK

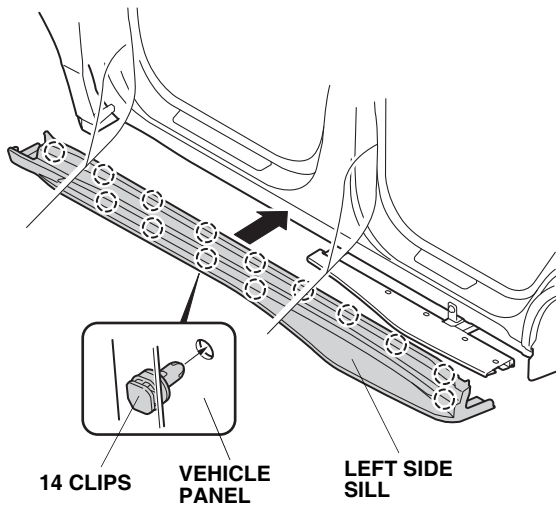
15. Loosely install the bracket to the vehicle panel with two flange bolts.

16. Torque the two flange bolts in the order shown to 27 N·m (2.8 kgf·m, 20 lbf·ft).



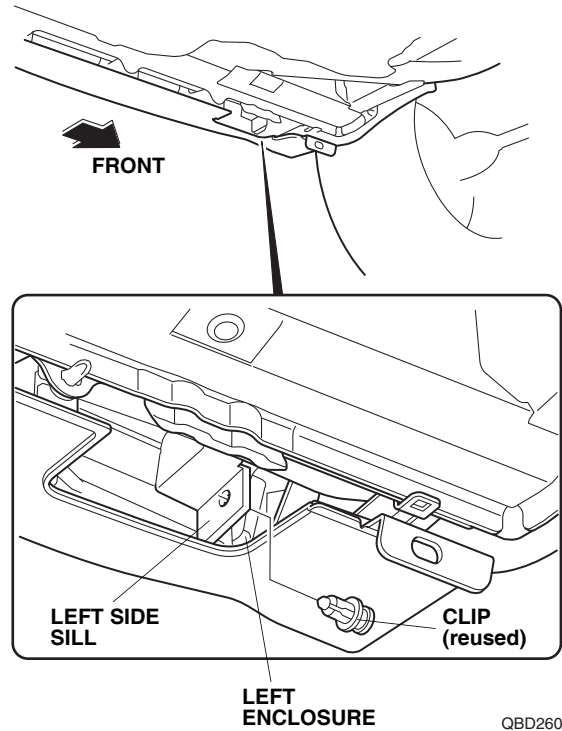
QB02921AK

17. Install the left side sill to the vehicle panel (14 clips).



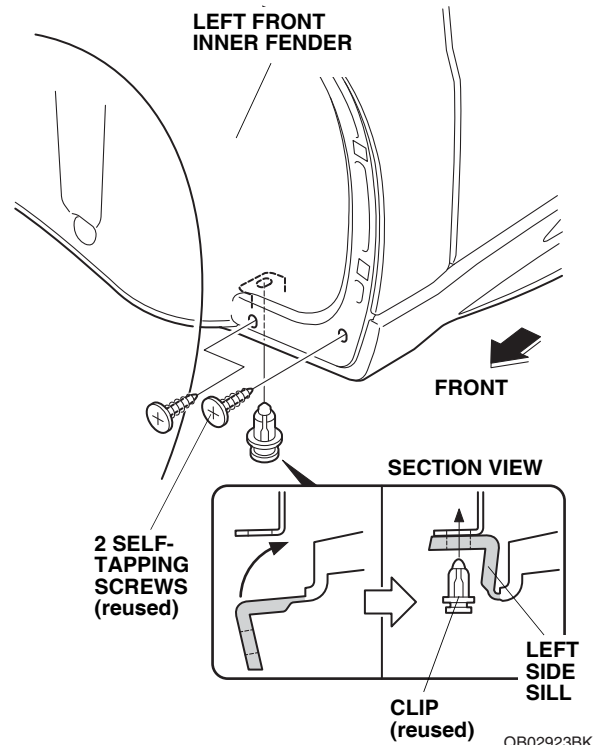
QB02922AK

18. Secure the front of the left side sill with the one clip removed in step 2.



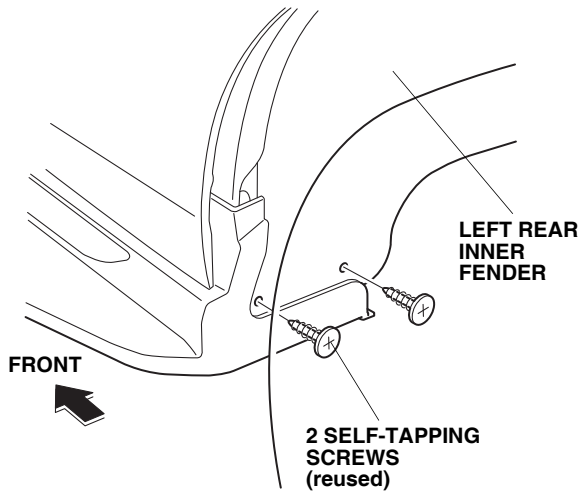
QBD2602AK

19. Secure the front of the left side sill with the one clip and two self-tapping screws removed in step 1.



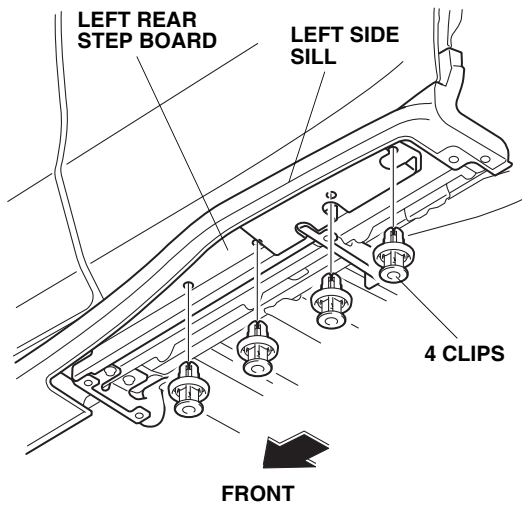
QB02923BK

20. Secure the rear of the left side sill with the two self-tapping screws removed in step 3.



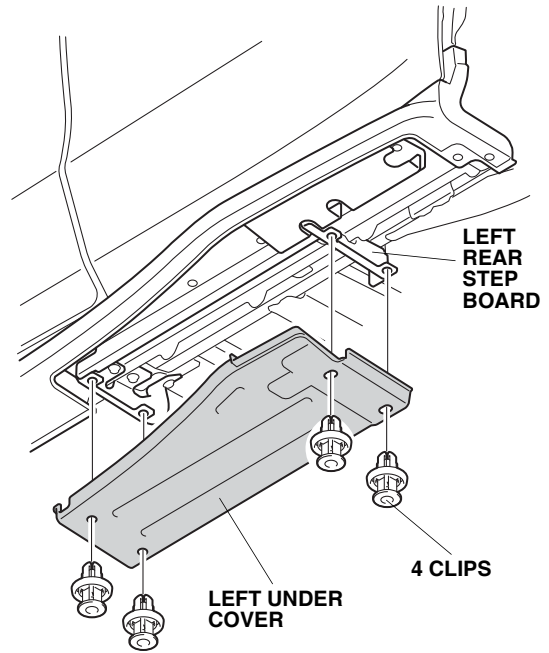
QB02924AK

21. Secure the left side sill to the left rear step board using four clips.



QB02925AK

22. Install the left under cover to the left rear step board using four clips.



QB02926AK

23. Repeat steps 1 through 22 to install the right rear step board on the right side of the vehicle.